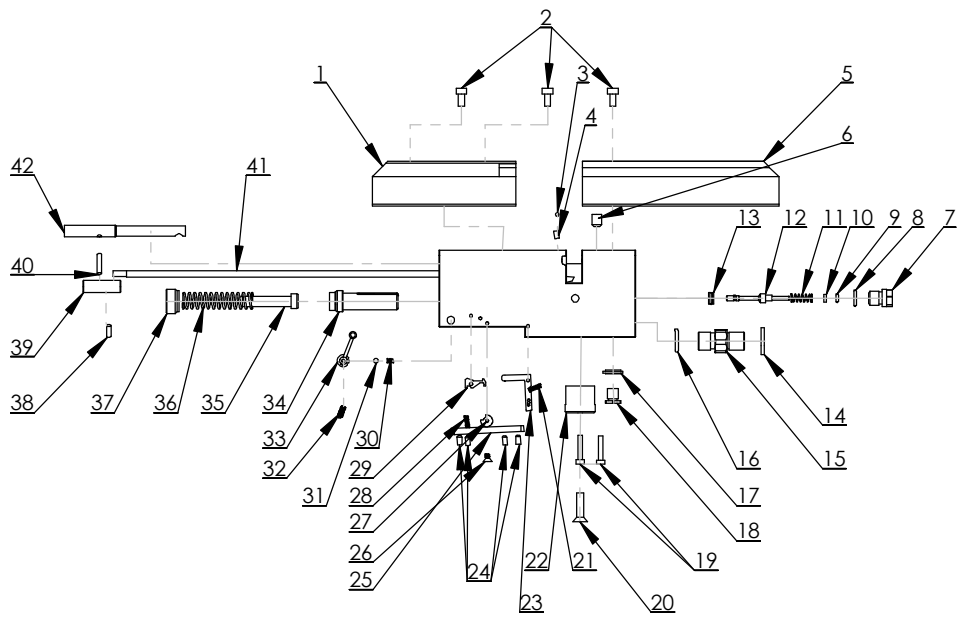
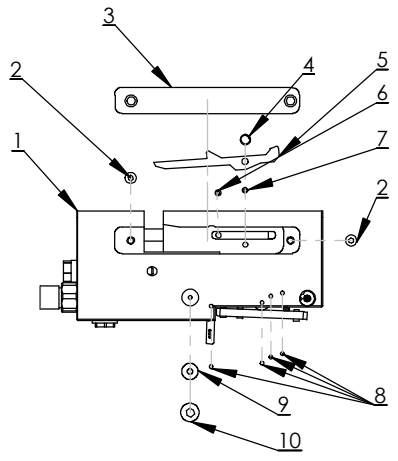
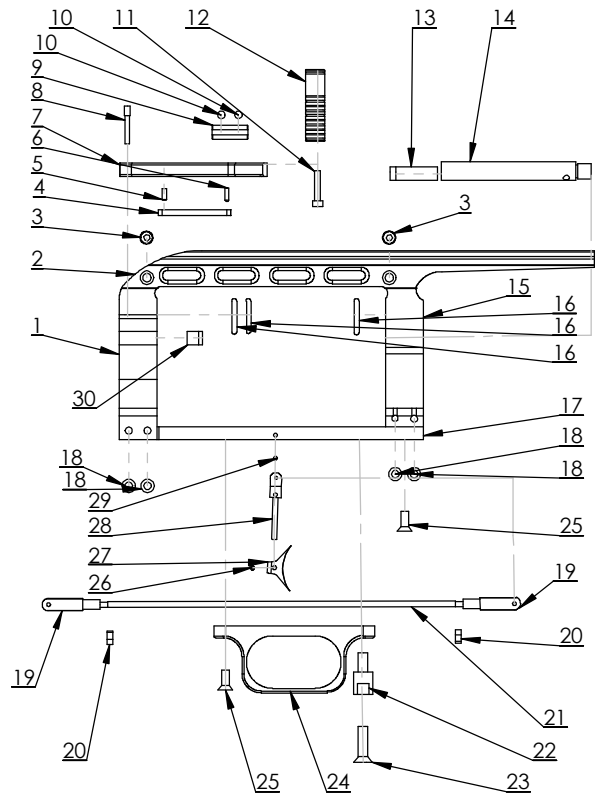
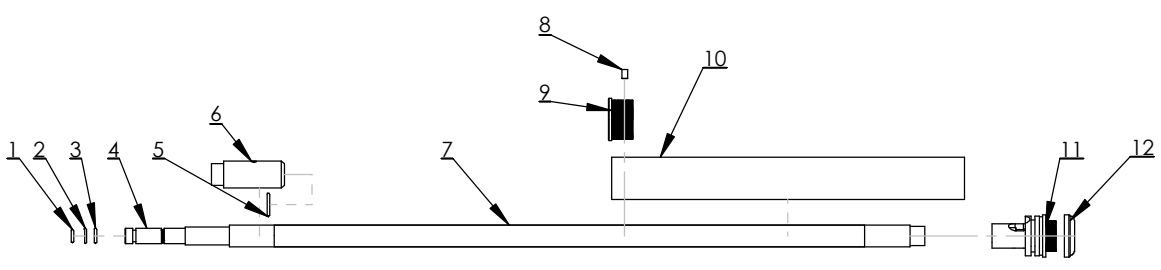
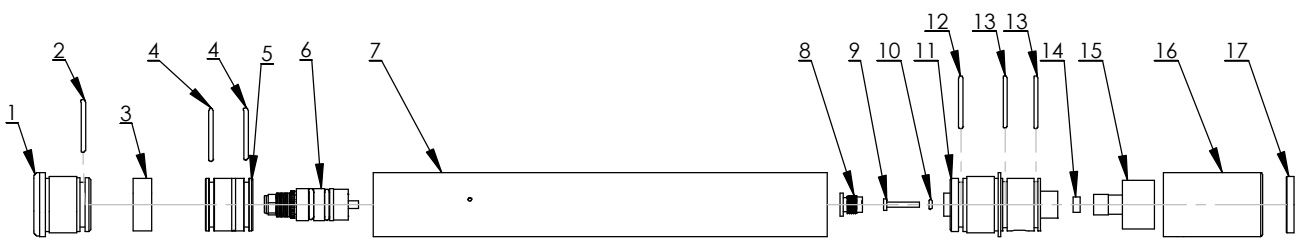


**A.****B.****C.****D.****E.**

Partslist FX Wildcat

Location	Article number	Description	Location	Article number	Description
A1	19521	Cheekrest back	B2	2504	M3x6 Countersunk screw
A2	19480	M4x10	B3	19572	Reloading plate wildcat
A3	19185	Steelball 2,38	B4	2520	Spring 0,5x4x7
A4	16100	Magnet 3x5	B5	19571	Magazine catch wildcat
A5	19522	Cheekrest front	B6	19549	M3 indexing screw
A6	19086	Grub Screw M6x8	B7	11508	Grubscrew m3x8
A7-HP	19508	Valve house Hp	B8	11502	CPK 2h6x20
A7-10j/12ft/p	19508-1	Valve house 10j/12Ft/p	B9	5005	Plastic washer 2mm
A8	4528	O-ring 7,66x1,78 NBR70	B10	19548	Brass plug g1/8"
A9-HP	5111	O-ring 2,5x1,5 NBR90	C1	19523	Barrelsupport back
A10-HP	19550	Delring Washer Valvepin	C2	19525	Rail wildcat
A11	2525	Spring 0,6x4x15	C3	4509	M5x20mm
A11 1		1292 For 10J/12Ft-p	C4	19021	Linkage v7
A12	7052	Complete Wildcat Valvepin	C5	19491	CPK 2,5m6x6
A13	19060	Complete Valveseat Shp	C6	19490	CPK 2m6x8
A14	11507	Rubbersteelwasher	C7	19529	Cocking lever v7 wildcat
A15	19505	Tubeconnector	C8	19034	M3 Special v7
A16	19486	O-ring 8,3x2,4 NBR 70	C9	19507	Reload Sliding bracket
A17	19499	Rubbersteel washer m7	C10	2637	Grubscrew m4x6mm
A18	19510	Plug m7	C11	11060	M3x18
A19	11060	Mc6s m3x18	C12	19611	Lever handle Wildcat
A20	19483	Mc6s m5x16	C13	19540	Bushing wildcat 25mm
A21		Spring 0,2x2,5x13,1	C14	19511	Reloadingbar guide
A22	19515	Stock Adapter	C15	19524	Barrelsupport front
A23	19527	L Trigger Wildcat	C16	12045	O-ring 13,95x2,62
A24	2500	Grub screw m3x6	C17	19526	Triggerplate Wildcat
A25	19528	Triggerbase wildcat	C18	5201	Mc6s4x16
A26	2504	Countersunkscrew m3x6	C19	19574	M3 metalclevis
A27	11525	Triggerwheel	C20	19482	M3 Nut
A28	5204	spring 0,5x3x15	C21	19518	Triggerrod
A29	11031	Trigger Sear v7, v8	C22	19547	Kuts m5-m4
A30	5829	Spring 0,5x2,5x4,4	C23	19483	Countersunk screw m5x16
A31	4066	3mm Steelball	C24	15008	Triggerguard straight
A32	11508	Grubscrew M3x8	C25	2505	Countersunk screw M4x10
A33	9200	Safety complete	C26	12035	Grubscrew m2,5x2,5
A34-HP 6,35	19039	Hammer v7	C27	19136	Adjustable Triggerblade
A35-HP	19215	Hammerweight 4mm	C28	19506	Trigger bracket wildcat
A35-12ft/p	11500	Hammerspring v2	C29	19213	Cpk 2h6x10
A35-10J	16024	Hammerspring v3,v4	C30	19541	Delrin bushing wildcat
A36-6,35		Spring 2448	D1-4,5	2529	O-ring 4,3x1,5 NBR 70
A37-6,35	11541	Hammerspring adjuster HP	D1-5,5	5108	O-ring 5,28x1,78 Pur 70
A37	11030	Hammerspring guide/adjuster	D1-6,35	4526	O-ring 6,35x1,27 NBR70
A38	19491	Cpk 3m6x6	D2	5112	O-ring 5,28x1,78 NBR70
A39	19501	Guide connector	D3	5112	O-ring 5,28x1,78 NBR70
A40	19490	Cpk 3h6x14	D4-4,5	2057	Barrel inlet 4,5
A41	19516	Reloading Rod	D4-5,5	2056	Barrel inlet 5,5 SHP
A42-4,5	19520	Feedingpin 4,5	D4-6,35	19104	Barrel inlet 6,35 SHP
A42-5,5	19517	Feedingpin 5,5	D5	19226	O-ring 12x2 NBR 90
A42-6,35	19502	Feedingpin 6,35	D6	19509	Barrelsupport Wildcat
B2	19599	Breech block wildcat	D7-4,5	12030	Barrel 485mm 4,5

D7-5,5	12006	Barrel 485mm 5,5			
D7-6,35	19106	Barrel 600m 6,35			
D8	11201	Grubscrew m5x4			
D9	19103	Shroud adapter			
D10	19573	Shroud 230mm			
D11-4,5 5,5	19122	Muzzle M20 4,5 5,5			
D11-6,35	19122-3	Muzzle M20 6,35			
D12	19128	Threadcover M20			
E1	19543	Tube end back			
E2	19485	O-ring 23,0x2,5 NBR 70			
E3	19514	Distance regulator			
E4	19497	O-ring 23,3x2,4 NBR 70			
E5	19512	Regulator seat wildcat			
E6-5,5 6,35	19043-140	Regulator 140Bar			
E6-4,5	19043-110	Regulator 110Bar			
E6 12ft 10j	19043-65	Regulator 65Bar			
E6 12ft/p 4,5	19043-55	Regulator 55Bar			
E7	19555	Tube 410mm			
E7	19556	Tube 570mm			
E8	19035	Plugg 1/8 v7			
E9	19329	Check valve cone gold			
E10	5111	O-ring 2,5x1,5NBR90			
E11	19542	Tube end manometer			
E12	19485	O-ring 23,0x2,5 NBR 70			
E13	19484	O-ring 24x2 NBR 70			
E14	5003	Plastic Bushing 4mm			
E15	11505	Manometer 25mm			
E16	19544	Dust cover wildcat			
E17	19545	Delrin Bushin dustcover			