

FXairguns MADE IN SWEDEN



FX CROWN MKII OWNER'S MANUAL

Warnings

- Never attempt to disassemble this rifle!
- Never fire the rifle when it is empty of air or when air cylinder is removed!
- Never point the rifle at anyone, or allow anyone to point a rifle at you!
- Treat every rifle as if it is loaded even if you know it is not loaded!
- Always carry the rifle so that the direction of the muzzle is under control, even if you stumble.
- Always be sure of your target and what lies behind it before firing your rifle.
- Never leave a loaded rifle unattended.
- Beware of targets that tend to cause ricochets.
- It is recommended that eye protection is worn.
- Always use caution when operating this rifle.
- Learn and obey the laws in your location.
- Be responsible in your use of this rifle!
- Never fill the rifle with anything else other than regular air!
- Never fire the rifle below set regulator pressure.
- You are obliged to inspect carbon-fiber air tanks according to the instructions on the tank.
- We invite all user of lead ammunition to collect and recycle debris whenever possible. If you are setting up an own shooting range or shooting at home we also suggest that you do it in a way where pellet debris can be collected and recycled.

Failure to obey these instructions could result in personal injury or damage to the gun!

Warranty Information

All FX Airguns carry a ThreeYear Warranty against faulty workmanship and defective materials. If it becomes necessary, first contact the dealer from which you purchased the gun. If the rifle is determined to have a defect within the warranty period, contact the warranty center to arrange service. The warranty guarantee does not cover any damage caused by tampering with the rifle or abuse. This rifle should only be disassembled by factory-authorized repairmen.

Rifle Features

- Smooth-twist x barrel system (with changeable core barrel liner to obtain various twist rates). Note: A separate manual is needed for this purpose.
- Interchangeable Caliber System.

- Built-In Moderator (variations may occur depending on country).
- External Power Adjuster (Hammerspring tension and airflow).
- Dual Manometers.
- Externally Adjustable AMP Regulator.
- Adjustable Match Trigger (variations may occur).
- High Capacity Magazine.
- Switch-Style Safety.
- Quick Fill System.
- Adjustable recoilpad.

Cleaning

- Keep the rifle clean and wipe it off with regular gun-oil and a cloth occasionally.
- We recommend that you use cleaning pellets occasionally. These you can use without the risk of damaging the barrel.

WARNING: *Never use chemicals or water to clean the rifle.*

Storage

- Store dry and dark if possible.
- Preferable stored pressurized.

WARNING:

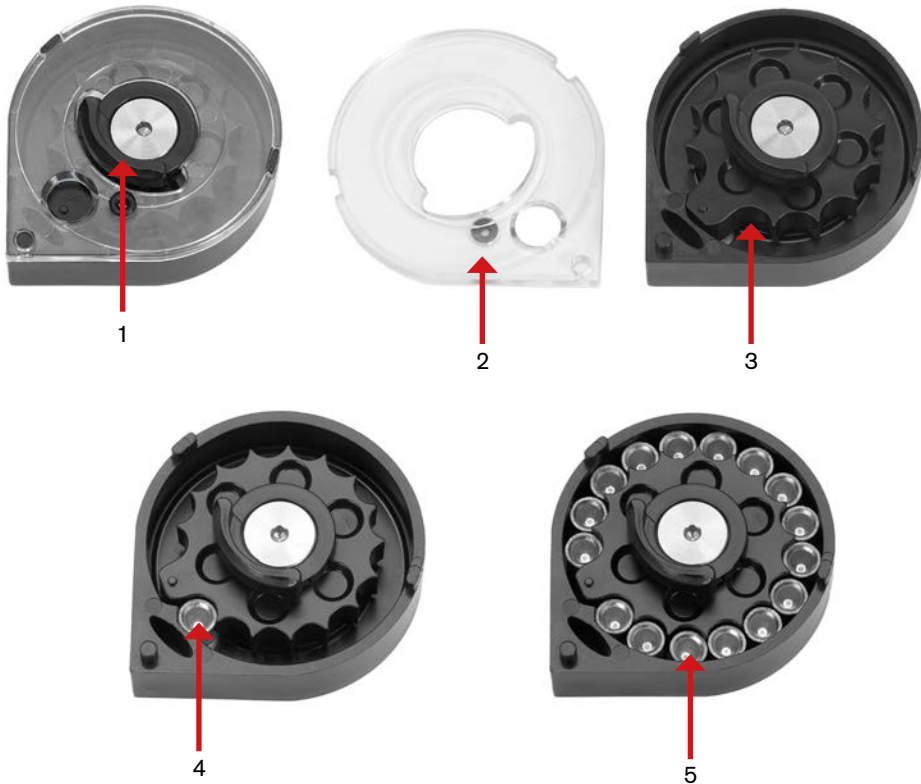
- *High humidity might cause corrosion if not treated correctly.*
- *Keep away from sunlight as this might damage o-rings and anodizing.*
- *Never store the rifle loaded with pellets*



Safety Operations

The safety is easy to use and is located on the right side of the action.

Note: *Only use the safety when the rifle is cocked!*



How to load the magazine

To load the Side-Shot magazine, start by rotating the center lid-lock (1) until you are able to remove the lid (2). Twist the inner pellet tray (3) counterclockwise until you hit the stop. Put a pellet into the first position (4) head first while holding your finger under the hole to stop it, release the pellet tray as the pellet you inserted will hold the magazine in place. Continue placing the rest of the pellets HEAD FIRST, make certain all the pellets fall in correctly into its slot (5). Once the magazine has been filled, put the lid back into position and twist the lid-lock until it is the opposite position of the cutout. Our guns are tested and tuned in the factory for best performance and accuracy with JSB pellets.

Charging the rifle



Attach the quick connector (1) supplied with the rifle to your charging source, the thread is 1/8".

Make sure that the thread is the same at the charging source before you attach it. The fill port is located in-between the two gauges, see red pointer.

Remove the dust cap (2) that is covering the fill port.

Push the quick connector over the fill port (3) and ensure that it's snapped in place and secured.

Use only female quick connectors from FX Airguns.

Close ventilation screw on the charging source.

Charge the rifle to wanted pressure.

Always check the pressure on the charging source, they have in most cases a more reliable gauge. The gauge on the rifle is more of an indicator to see if you need to charge or not.

If a hand pump is used the moisture trap must be drained at regular intervals during the pumping cycle.

To release the connector, pull back on the outer sleeve (4) and it will release from the fill port.

WARNING: Only dry air should be used! Under no circumstances should oxygen or any other gas be used to fill the airtubes! This could result in a serious injury or death!

Cocking and Loading

With the rifle pressurized and magazine loaded, continue to prepare the rifle for use by pulling rearward on the cocking lever until it clicks in the rearward position.

Then set the safety to its safe position.

Carefully insert the magazine in the magazine slot, ensuring the pellets face the correct direction.

Press firmly to ensure the magazine is completely installed. Closing the cocking lever will now load a pellet into the barrel and make the rifle cocked and loaded. Switching the safety to "FIRE" will make the rifle ready to fire.

Be sure to keep the rifle pointed in a safe direction throughout this entire procedure.

Uncocking the rifle/inactivating trigger system

Pull the cocking lever to its rear position, put the safety to Fire.

While holding the cocking lever in its rear position you squeeze the trigger and then you gently move the cocking lever forward. Trigger must be pulled throughout the whole procedure.



Notes for you own settings

Tip: Make note of the factory setting before you start tuning the rifle.

Caliber				
Regulator Pressure				
Main Power Setting				
Power tuning adjuster				
Energy				
Velocity				
Pellet Weight				
Pellet Type				
Distance				
Remarks				



Adjusting the power

Setting the power on the Crown can be done with three external adjustments.

1. Front power adjuster (1) - The airflow adjuster is located on the left front side of the breechblock. This gives you the ability to adjust the power from high to low.

NOTICE – NEVER fire the airgun without air. Doing so may damage the valve assembly and will void your warranty!

2. Rear power adjuster (2) – The spring tension adjuster is located on the left rear side of the breech block.

The spring tension adjuster wheel is a quick way to fine tune the power and accuracy of your rifle and has 7 fixed levels.

Simply rotating the wheel while the gun is uncocked in either direction will set the power from Maximum to Minimum.

It will read letters on one side and figures on the other side as there can be small difference in power between the two sides. 1 and E is on the low side and 5 and A is on the high side.

NOTICE – NEVER adjust the power when rifle is cocked. Doing so might damage the power-adjuster wheel and will void your warranty!



3. Externally Adjustable Regulator – In the stock beside the front pressure gauge there is a machined slot where the regulator adjustment screw is located. Tool required for adjustment: 2,5 mm Hex key.

Increase regulator pressure:

Gently turn the screw counter-clockwise slowly while looking at the regulator manometer (4).

Decrease regulator pressure:

Turn the screw clockwise a quarter turn at a time, dry fire the rifle until pressure stops dropping.

Repeat until wanted pressure is achieved. Make sure your rifle is not loaded with ammunition before dry firing.

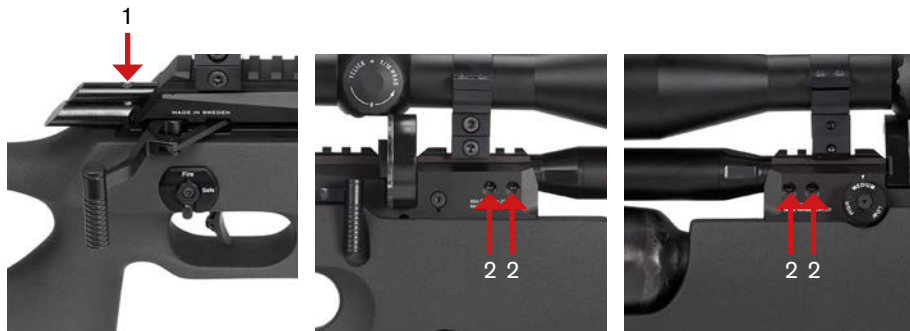
Note: If air reservoir is empty or disconnected you do not need to dry fire.

NOTICE – Make sure there is no ammunition in the barrel

NOTICE – Fire airhots in a safe direction.

NOTICE – NEVER adjust the regulator above 160 BAR as damage to the system may occur and will void your warranty!

NOTICE – NEVER use the gun below the set regulator pressure as damage to the system may occur and will void your warranty!



Changing Caliber

When changing calibre on the system for the first time, be sure to follow these instructions closely to avoid unwanted damage.

Make sure pelletprobe has the same caliber as the barrel before mounting. Make sure rifle is uncocked!

Barrel:

- Loosen the four screws, two on each side of the breechblock (2).
- Pull the barrel out of the system.
- Insert new barrel and make sure the small slot in the barrel breech lines up with the guide pin inside the breech block.
- When completely seated, you should be able to see a small portion of the barrel assembly inside the magazine slot.
- Once in position, tighten the locking screws.
- Misalignment will cause poor performance and potential harm to the airgun.

NOTICE – Failure to tighten these locking screws can cause serious damage to the rifle if fired.

Pelletprobe:

- Start by pushing the sidelever to its rear position.
- Set the safety to its safe position.
- Then remove the pelletprobe locking screw (1).
- Pull the probe rearwards, replace and tighten the screw again.
- Uncock the rifle, see cocking and loading section.

NOTICE – Never fire the gun without pelletprobe mounted.



Adjustments standard triggersystem:

For liability reasons, we cannot give detailed instructions on trigger adjustments.

The following diagram is a reference showing adjustment screws and what aspect of the trigger they adjust.

The 2nd Stage Adjustment (2) is the break or release weight adjuster.

The 1st Stage Length Adjustment (1) controls the travel or 1st Stage length.

NOTICE – Adjusting your trigger can easily make the rifle unsafe. Take caution in safely adjusting and testing your trigger with an UNLOADED magazine and empty barrel. Always point the rifle in a safe direction while adjusting the trigger. Never rely on the trigger or safety when pointing your rifle at any target. And, always test the rifle thoroughly following any adjustments to ensure safety and reliability.

NOTICE – All adjustments work in relationship with one another. Adjustments to one screw may affect the function of other aspects to the trigger. Proper function is a tuning of each adjustment, and should be performed by a trained specialist. Adjustments to the trigger are not a warranted service.



FXairguns MADE IN SWEDEN

www.fxairguns.com