

Bestilling pr mail@arms-gallery.dk  
 Oplys: Antal + Item + Part Number + NAV + Description

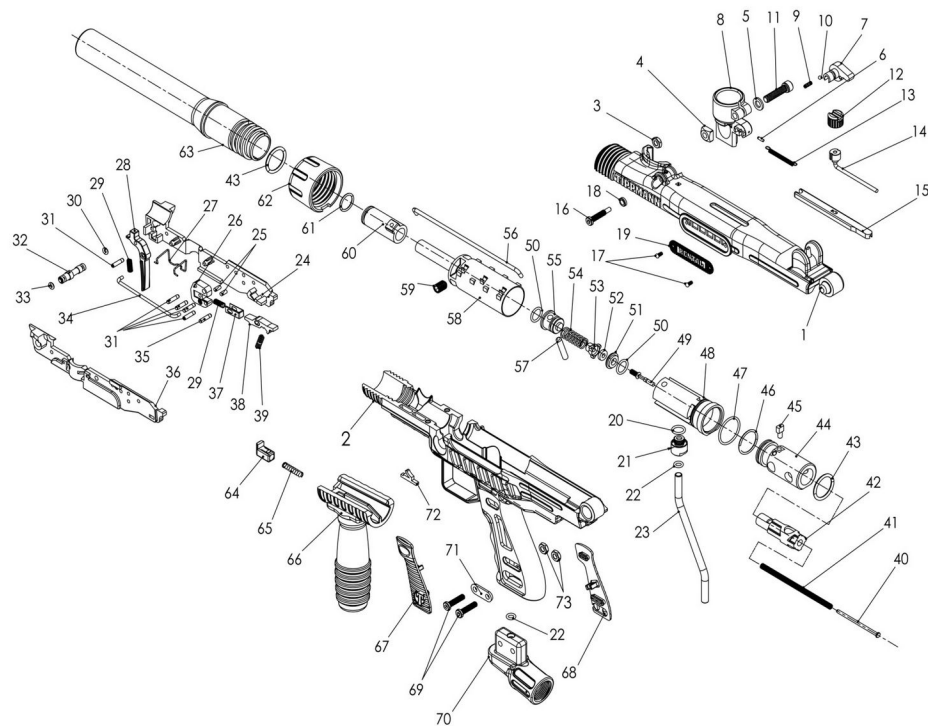
### Tippmann Reservedelsoversigt FT 12 Vers 19.03.22 KP/AG

Item	Part Number	NAV	Description
1	TA45001	11638	Top Receiver
2	TA45002	76322	Bottom Receiver
3	98-45	11743	Washer, M6, Flat Black
4	TA45003	#N/A	Feed Tube
5	PL-42C	11726	Screw, ¼-20x1" SHCS
6	TA45004	76714	Feed Tube Lock
7	TA45005	76336	Feed Tube C-clip
8	TA45041	76328	Feed Elbow Spring
9	TA45040	#N/A	Ball, Steel
10	9-PA	11966	Hex Nut, 10-32, Black
11	TA45044	11645	Screw, 10-32, LSHCS
12	TA45006	76331	Pull Stick Nut
13	TA45007	76329	Cover Plate
15	TA45009	11637	Tensile Spring
16	FA-18	11839	Ball Latch
17	PL-42D	11727	Nut, ¼-20, Square, Black
18	TA45011	11621	ASA Screws
19	TA45012	11620	Air Supply Adapter (ASA)
20	TA45013	11613	Grip Cover, Left
21	TA45014	11614	Grip Cover, Right
22	TA40017	11660	Gas Line O-Ring
23	TA45015	11633	Plastic ASA Washer
24	TA45016	76337	Trigger Link
25	TA40011	11662	Trigger Adapter
26	98-20	11731	Trigger Spring
27	98-19	11716	Return Slide Dowel Pin
28	98-18	11739	Trigger Return Slide
29	02-35	11785	Sear
30	TA02036	11736	Sear Spring
31	TA45043	11642	Trigger Pin
32	TA45017	76326	Trigger Box, Right
33	TA45018	77029	Safety Pin
34	FA-07	11709	Safety O-Ring, Black
35	98-55	11707	Safety O-Ring, Red
36	TA45019	76332	Trigger Box, Left
37	TA45020	11641	Trigger Box Spring
38	TA45021	11639	Trigger

Item	Part Number	NAV	Description
39	TA45042	76323	Sear Pin
40	TA45022	#N/A	Rear Bolt
41	98-12A	11711	Valve/Rear Bolt O-Ring
43	TA01014	11762	Buffer O-Ring
45	CA-15	11714	Guide Pin
46	CA-14	11732	Drive Spring
47	02-22	11804	Velocity Screw
48	TA45024	#N/A	Valve Body
49	TA45025	11635	Power Tube
50	TA45026	76330	Valve Plug
51	TA45027	76715	Valve Body O-Ring,
52	TA40022	77564	Valve Spring
53	TA45028	11627	Front Valve Seat
56	98-PL	11841	Valve Stem
57	TA45030	11623	C-clip
58	SL2-25	11710	Gas Line Joint O-Ring
59	TA45032	11628	Gas Line
60	TA45033	#N/A	Gas Line Joint
61	TA45034	11631	Valve Body O-Ring (outside)
62	02-17	11772	Front Bolt
63	SL2-4	10155	Front Bolt O-Ring
64	TA01016	11771	Linkage Arm
65	TA45035	#N/A	Front Grip
68	TA45038	76327	Barrel
69	TA45039	11622	Barrel Nut
70	98-40	11708	Barrel O-Ring
72	TA45049	76716	Plastic Washer
74	TA45048	76335	Cocking Knob

#### Assemblies

Item	Part Number	NAV	Description
TA45100	11625		Feed Neck Assy
TA45101	11640		Trigger Box Complete Assy
TA45102	11643		Valve Assy
TA45103	11624		Cocking Handle Assy
TA45104	76325		Safety Assy w/ o-rings



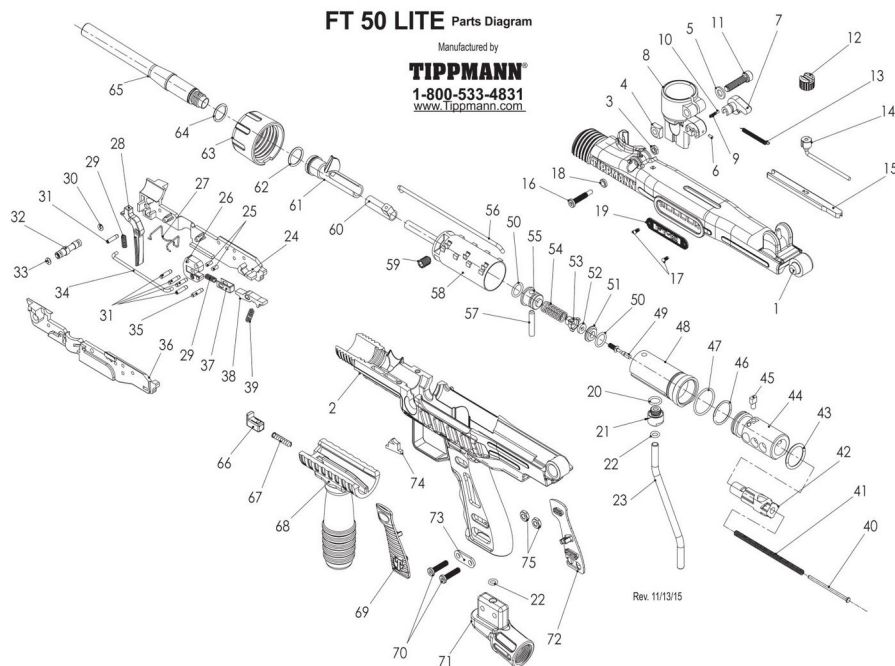
Bestilling pr mail@arms-gallery.dk  
 Oplys: Antal + Item + Part Number + NAV + Description

### Tippmann Reservedelsoversigt FT 12 Lite Vers 19.03.22 KP/AG

Item	Part Number	NAV	Description
1	TA45079	11654	Top Receiver
2	TA45078	#N/A	Bottom Receiver
3	TA02060	11670	Hex Nut, 10-32, Black
4	PL-42D	11727	Nut, ¼-20, Square, Black
5	98-45	11743	Washer, M6, Flat Black
6	TA45087	#N/A	Stop Pin
7	TA45080	#N/A	Feed Tube Lock
8	TA45081	#N/A	Feed Tube .68 Caliber
9	TA45101	11640	Feed Tube Spring
10	TA45102	11643	Ball, Steel
11	PL-42C	11726	Screw, ¼-20x1" SHCS
12	TA45048	76335	Cocking Knob Assembly
13	TA45104	76325	Tensile Spring
14	TA45086	#N/A	Pull Stick Zinc
15	TA45007	76329	Cover Plate
16	TA45044	11645	Screw, 10-32
17	TA45047	11634	Rivet
18	TA45046	11632	Plastic Screw Washer
19	TA45045	#N/A	Name Plate
20	SL2-25	11710	O-Ring, Gas Line Joint
21	TA45033	#N/A	Gas Line Joint
22	TA40017	11660	O-Ring, Gas Line
23	TA45085	#N/A	Gas Line
24	TA45017	76326	Trigger Box, Right
25	98-19	11716	Return Slide Dowel Pin
26	TA40011	11662	Trigger Adapter
27	TA45020	11641	Trigger Box Spring
28	TA45021	11639	Trigger
29	98-20	11731	Sear Spring
30	FA-07	11709	Safety O-Ring, Black
31	TA45043	11642	Trigger Pin
32	TA45018	77029	Safety Pin
33	98-20	11731	Safety O-Ring, Red
34	TA45016	76337	Trigger Link
35	TA45042	76323	Sear Pin
36	TA45019	76332	Trigger Box, Left
37	98-18	11739	Trigger Return Slide

Item	Part Number	NAV	Description
38	02-35	11785	Sear
39	TA41033	76244	Sear Spring
40	CA-15	11714	Guide Pin
41	CA-14	11732	Spring
42	TA45061	#N/A	Rear Bolt Plug
43	98-40	11708	O-Ring, Rear Bolt and Barrel, .68 Caliber
44	TA45091	#N/A	Rear Bolt Assembly
45	TA45023	#N/A	Pin, Rear Bolt
46	98-12A	11711	O-Ring, Rear Bolt
47	TA45034	11631	O-Ring, Valve Body (outside)
48	TA45092	#N/A	Valve Body .68 Caliber
49	TA45089	#N/A	Valve Stem .68 Caliber
50	TA45027	76715	O-Ring, Valve Body (inside)
51	TA45028	11627	Front Valve Seat
52	PA-28	11842	Valve Stem Cup Seal
53	TA45029	#N/A	Valve Stem Cup
54	98-32	11730	Spring
55	TA45088	11655	Valve Plug
56	TA01016	11771	Linkage Arm
57	TA45090	11656	Valve Lock Pin
58	TA45025	11635	Power Tube, .68 Caliber
59	02-22	11804	Set Screw, 5/16-24 x 7/16
60	02-17	11772	Front Bolt .68 Caliber
61	SL2-4	10155	O-Ring, Front Bolt
62	TA45039	11622	Barrel Nut .68 Caliber
63	TA45077	#N/A	Barrel .68 Caliber
64	TA45036	76333	Button
65	TA45037	76324	Button Spring
66	TA45082	#N/A	Front Grip
67	TA45083	76849	Grip Cover, Yellow, Left
68	TA45084	76850	Grip Cover, Yellow, Right
69	TA45011	11621	Air Supply Adapter (ASA) Screws
70	TA45012	11620	Air Supply Adapter (ASA)
71	TA45015	11633	Washer, Plastic
72	TA45074	11650	Ball Latch .68 Caliber
73	9-PA	11966	Nut, ASA, 10-32

Distribution: Arms Gallery, Nybrogade 26, 1203 København K - mail@arms-gallery.dk - www.paintball.dk



Bestilling pr mail@arms-gallery.dk  
Oplys: Antal + Item + Part Number + NAV + Description

**Tippmann Reservedelsoversigt FT 50 Lite** Vers 19.03.22 KP/AG

Item	Part Number	NAV	Description
1	TA45079	11654	Top Receiver
2	TA45078	#N/A	Bottom Receiver
3	TA02060	11670	Hex Nut, 10-32, Black
4	PL-42D	11727	Nut, ¼-20, Square, Black
5	98-45	11743	Washer, M6, Flat Black
6	TA45087	#N/A	Stop Pin
7	TA45080	#N/A	Feed Tube Lock
8	TA45100	11625	Feed Tube .50 Caliber
9	TA45101	11640	Feed Tube Spring
10	TA45102	11643	Ball, Steel
11	PL-42C	11726	Screw, ¼-20x1" SHCS
12	TA45048	76335	Cocking Knob Assembly
13	TA45104	76325	Tensile Spring
14	TA45086	#N/A	Pull Stick Zinc
15	TA45007	76329	Cover Plate
16	TA45044	11645	Screw, 10-32
17	TA45047	11634	Rivet
18	TA45046	11632	Plastic Screw Washer
19	TA45060	#N/A	Name Plate
20	SL2-25	11710	O-Ring, Gas Line Joint
21	TA45033	#N/A	Gas Line Joint
22	TA40017	11660	O-Ring, Gas Line
23	TA45085	#N/A	Gas Line
24	TA45017	76326	Trigger Box, Right
25	98-19	11716	Return Slide Dowel Pin
26	TA40011	11662	Trigger Adapter
27	TA45020	11641	Trigger Box Spring
28	TA45021	11639	Trigger
29	98-20	11731	Sear Spring
30	FA-07	11709	Safety O-Ring, Black
31	TA45043	11642	Trigger Pin
32	TA45018	77029	Safety Pin
33	98-20	11731	Safety O-Ring, Red
34	TA45016	76337	Trigger Link
35	TA45042	76323	Sear Pin
36	TA45019	76332	Trigger Box, Left
37	98-18	11739	Trigger Return Slide
38	02-35	11785	Sear

Item	Part Number	NAV	Description
39	TA41033	76244	Sear Spring
40	CA-15	11714	Guide Pin
41	CA-14	11732	Spring
42	TA45061	#N/A	Rear Bolt Plug
43	98-40	11708	O-Ring, Rear Bolt
44	TA45103	11624	Rear Bolt Assembly
45	TA45023	#N/A	Pin, Rear Bolt
46	98-12A	11711	O-Ring, Rear Bolt
47	TA45034	11631	O-Ring, Valve Body (outside)
48	TA45094	#N/A	Valve Body .50 Caliber
49	TA45095	#N/A	Valve Stem .50 Caliber
50	TA45027	76715	O-Ring, Valve Body (inside)
51	TA45028	11627	Front Valve Seat
52	PA-28	11842	Valve Stem Cup Seal
53	TA45029	#N/A	Valve Stem Cup
54	TA45097	11659	Spring
55	TA45088	11655	Valve Plug
56	TA01016	11771	Linkage Arm
57	TA45090	11656	Valve Lock Pin
58	TA45064	77511	Power Tube, .50 Caliber
59	02-22	11804	Set Screw, 5/16-24 x 7/16
60	TA45073	76342	Front Bolt .50 Caliber
61	TA45071	#N/A	Sleeve, .50 Caliber
62	TA45072	#N/A	O-Ring, Sleeve
63	TA45068	76338	Barrel Nut .50 Caliber
64	TA45070	#N/A	Barrel O-Ring
65	TA45096	#N/A	Barrel .50 Caliber
66	TA45036	76333	Button
67	TA45037	76324	Button Spring
68	TA45082	#N/A	Front Grip
69	TA45098	#N/A	Grip Cover, Orange Left
70	TA45011	11621	Air Supply Adapter (ASA) Screws
71	TA45012	11620	Air Supply Adapter (ASA)
72	TA45099	#N/A	Grip Cover, Orange Right
73	TA45015	11633	Washer, Plastic
74	TA45074	11650	Ball Latch .50 Caliber
75	9-PA	11966	Nut, ASA, 10-32